

INDO Products – Road Specifications

AIR1



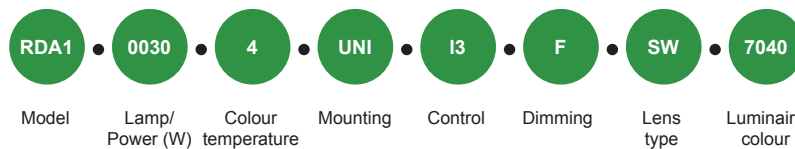
Features

- ⊙ Direct Drive® technology
- ⊙ Streamlined & super lightweight
- ⊙ No hinges, clips or lids
- ⊙ Marine grade aluminium body
- ⊙ Highly durable and robust
- ⊙ Efficient thermal management
- ⊙ CMS compatible
- ⊙ LED efficacy 145 lm/W

Applications

- ⊙ Residential road
- ⊙ Car parks
- ⊙ Train station
- ⊙ Facilities
- ⊙ Town centre

INDO code explained



Stocked product code

RDA1.0030.4.UNI.I3.F.SW.7040

Product codes – please choose your specifications

Model	Product code	Wattage/ Nominal Flux**	Product code	Colour temperature	Product code	Mounting	Product code
AIR1	RDA1	10W (1067)	0010	4000K*	4*	Post Top 60-76mm/ Side Entry 34-42mm	UNI
		15W* (1600)	0015*	5000K	5		
		20W (2133)	0020				
		25W (2667)	0025				
		30W* (3200)	0030*				

*If 48-60mm mounting is needed, this is ordered as a separate item****

Control	Product code	Dimming	Product code	Lens type	Product code	Luminaire colour (RAL)	Product code
NEMA (3-pin)	N	Fixed	F	1C optic	1C	RAL7040*	7040*
Integrated cell 20/20	I2			SW optic*	SW*	RAL9005*	9005*
Integrated cell 35/18*	I3*			SWA optic	SWA	<i>Other RAL colours available on request, subject to minimum order volumes</i>	xxxx
Mini cell 20/20	2			SWB optic	SWB		
Mini cell 35/18	3			A1 (60°) optic	A1		
20 mm pre-drilled	C			A2 (90°) optic	A2		
				A3 (asymmetric) optic	A3		

* Denotes standard product variants that are available from stock, giving you shorter lead times. Non-standard options are available but please check with us for lead times and pricing.

** At 4000K, total indicative LED flux at T_j 85°C. The installed flux output of the luminaire may vary depending on environmental conditions (e.g. temperature and pollution). Please also note that, at other colour temperatures wattages may vary.

*** AIR1 is supplied with post top plate pre-fitted and includes a 34-42mm side entry plate in the box as standard. If a 48-60mm mounting option is required, this will be ordered as a separate line item to the luminaire. Please contact us for pricing.

AIR1 Product Overview

The INDO AIR1 is a revolutionary LED luminaire designed for a multitude of applications. Using INDO's latest Direct Drive® technology the product has no LED driver, resulting in an excellent full product life, set by the LEDs themselves. The unique casting (with no moving parts) is constructed from marine grade aluminium providing effective thermal management and a robust luminaire structure.

Despite its robustness, the luminaire is extremely light at 3.1kg and the sleek design results in minimal column loading, (especially important where existing columns have limited life). Combined with the multiple mounting options available as standard, this makes the AIR extremely easy for a single operator to install.

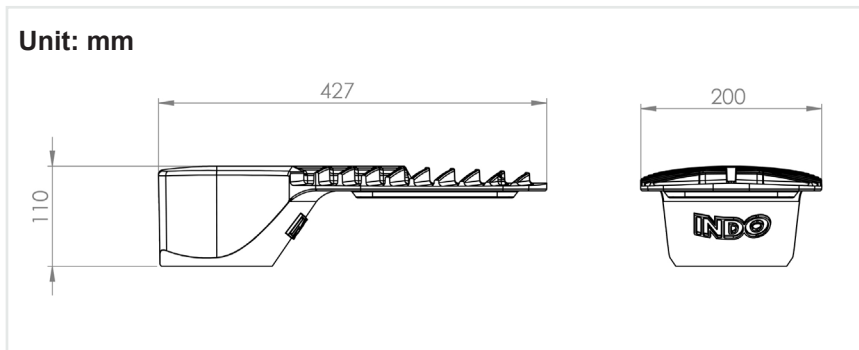
The AIR is supplied in fully recycled and recyclable packaging, with two luminaires in each box. Robust inserts are used and can be easily flattened following installation for recycling or return. A total of 160 luminaires are packed onto

Technical Specifications

Input voltage range	195-265 V @ 50/60Hz
Ambient operating temperature	-20°C (min) – +40°C (max)
Weight (Gross/Net weight)	3.5kg / 3.1kg
Windage	0.025m ²
Mounting options	Post top 60mm-76mm Side entry 34mm-60mm
Ingress Protection (Optic + Gear)	IP66
Colour Rendering Index (CRI)	>70
Optical Risk Group	RG1
Lumen depreciation (L80B50)	140,000 hours
Power Factor	> 0.95
S/P ratio (4000K)	1.8

a single pallet, providing an efficient solution for stores management.

Dimensions



Accessories

Shields:	20mm depth	40mm depth
Front	✓	✓
Rear	✓	✓
Side	✓	✗

Mounting:
If a 48-60mm mounting option is required, this will be ordered as a separate line item to the luminaire. Please contact us for pricing.

Photometry

